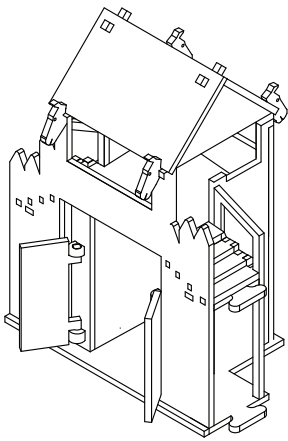
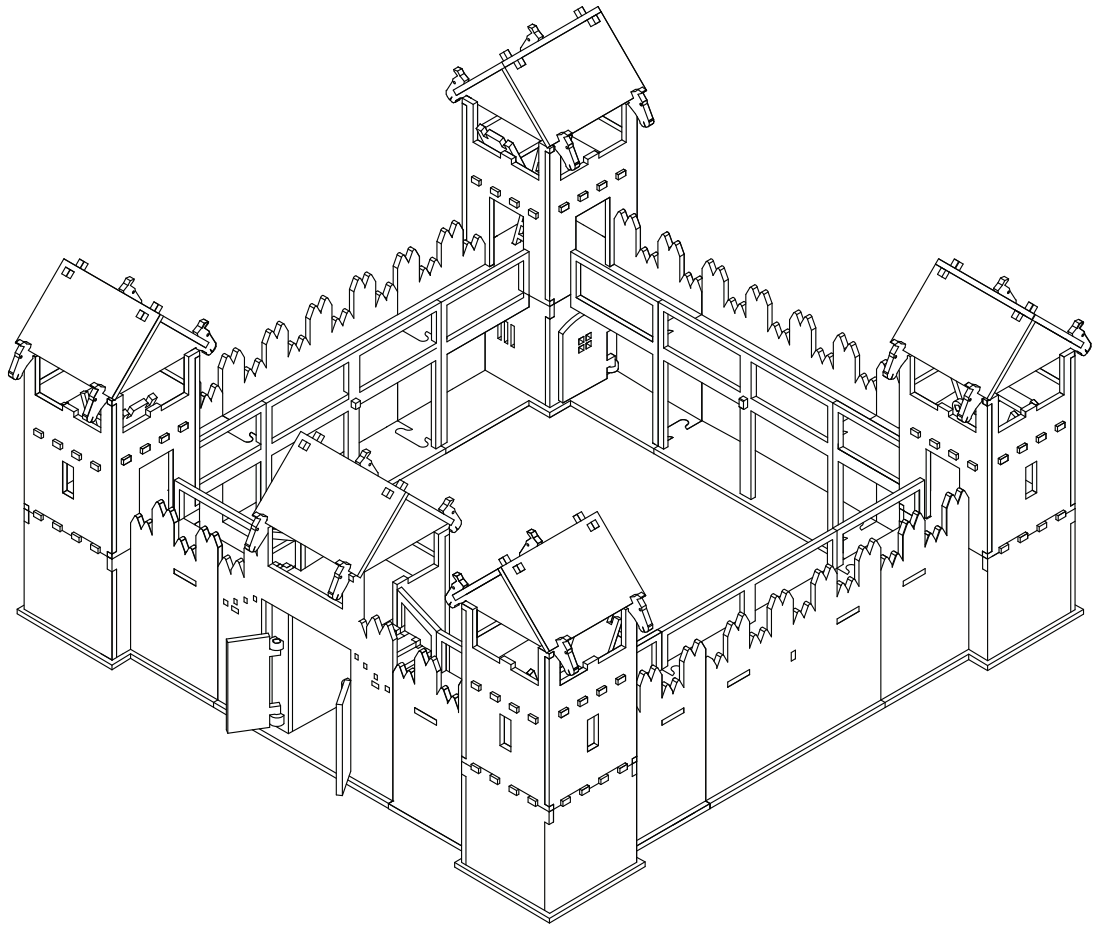
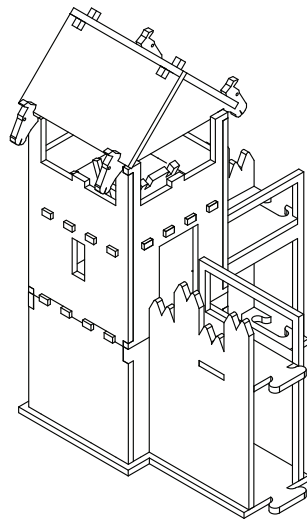


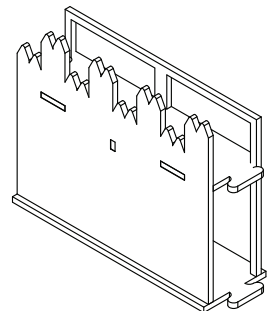
Viking Castle Kit



Gate A1 (x1)



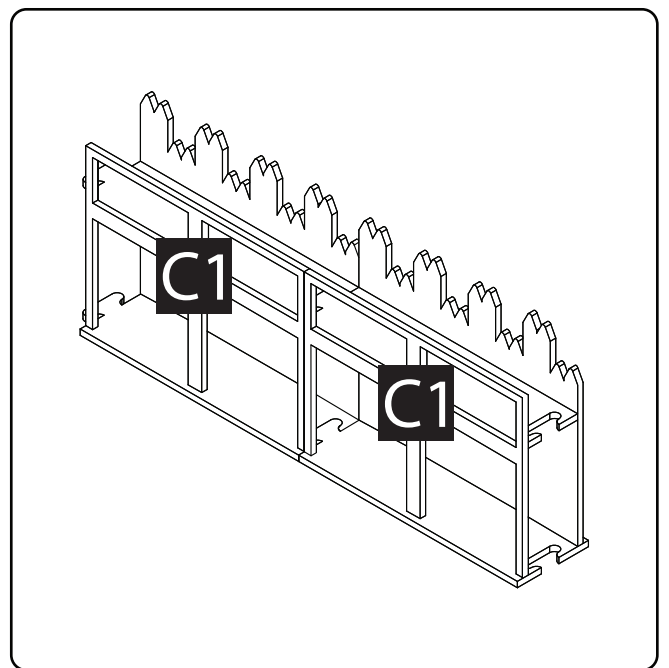
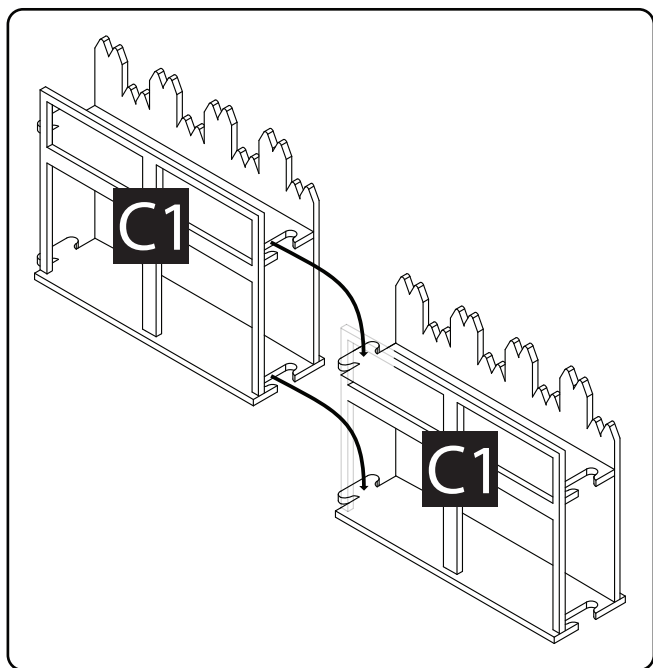
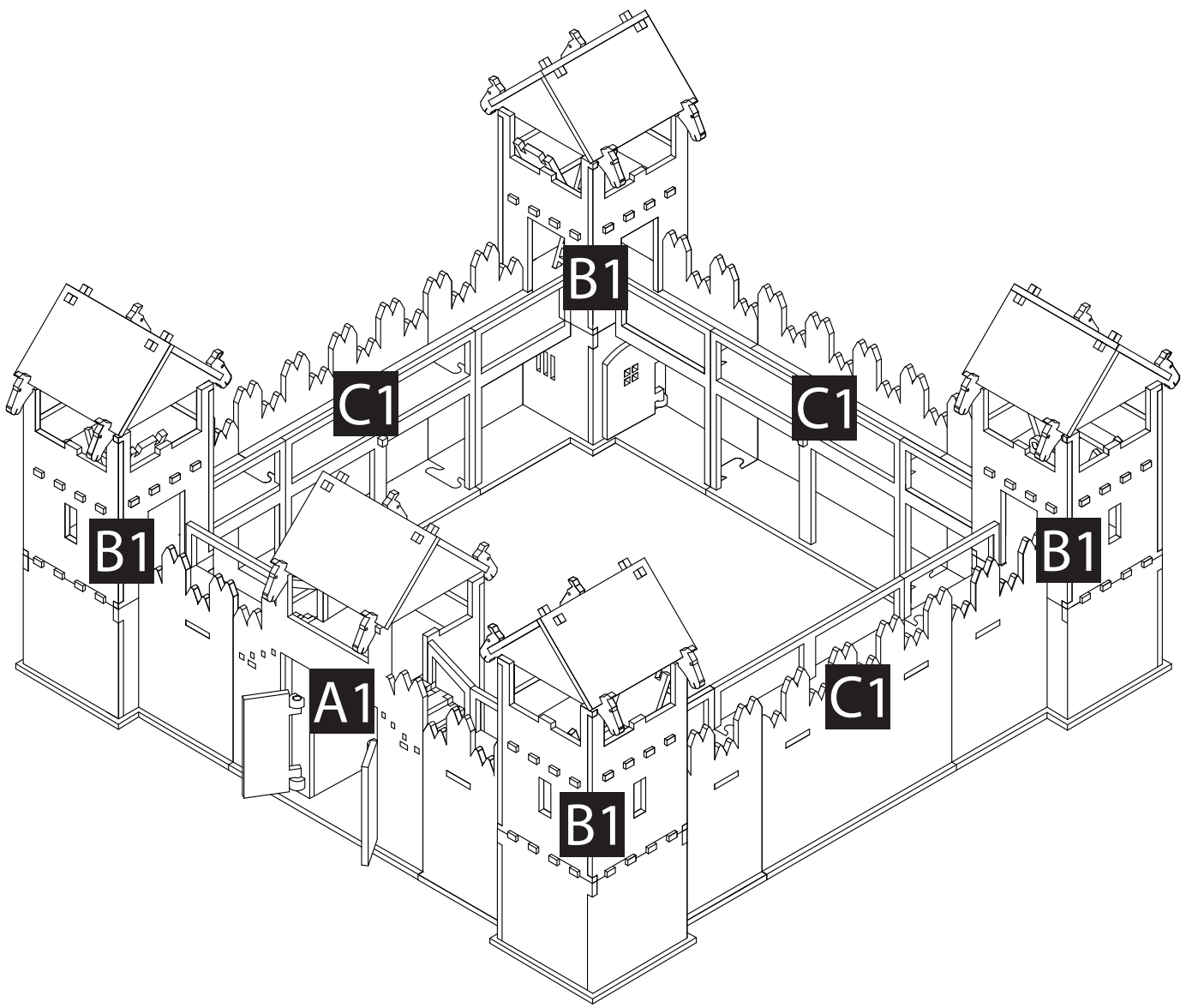
Corner tower B1 (x4)



Wall C1 (x3)

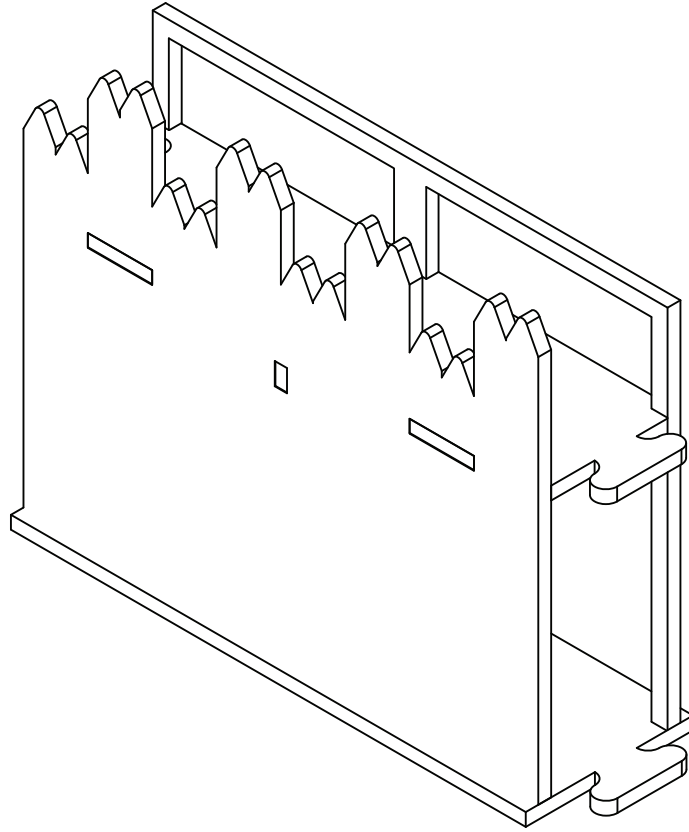
WARNING! Small parts.
Not suitable for children under 3 years old.



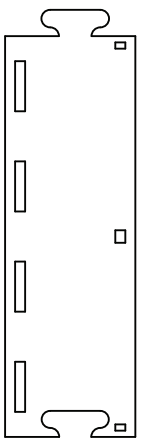


The castle is made up of sections that fit together with a clever puzzle-style locking system. Now, it's time to roll up your sleeves and start assembling the sections. Let's bring this project to life!

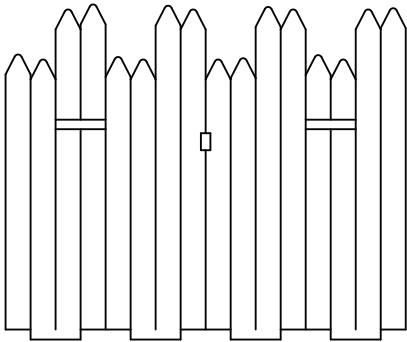
Wall



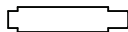
First floor



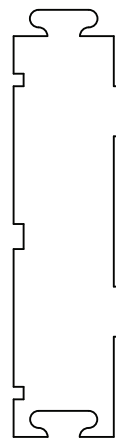
D1



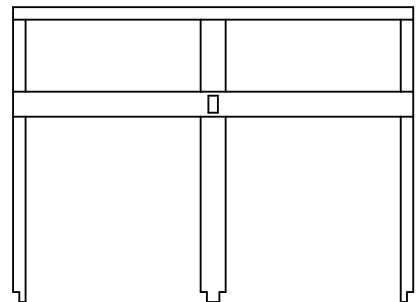
E



F



D2



G

Assembly recommendations:

Before gluing the parts, test-fit them in the position shown in the diagram without glue.

Apply a drop of glue to all contact surfaces of the parts.

Press the parts firmly together and, if necessary, hold them in place for a short time.

If a part has a pattern on one side, place that side facing outward.

Moving parts (doors, windows, hatches) should be moved back and forth carefully the first few times after installation to slightly round the sharp plywood edges and ensure smoother movement.

Take your time and enjoy the process!

■ - Do not use glue.

○ - Use glue.

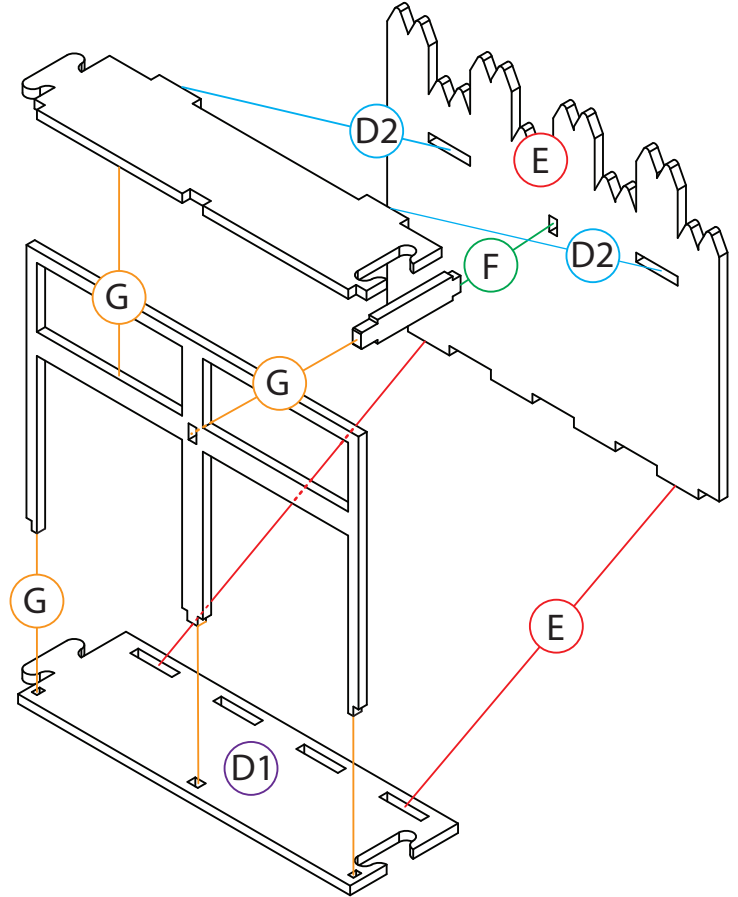
1 - D1, E

2 - F, E

3 - D2, E

4 - G, D1, D2, F

Ensure the completed wall stays perfectly upright while the glue dries.

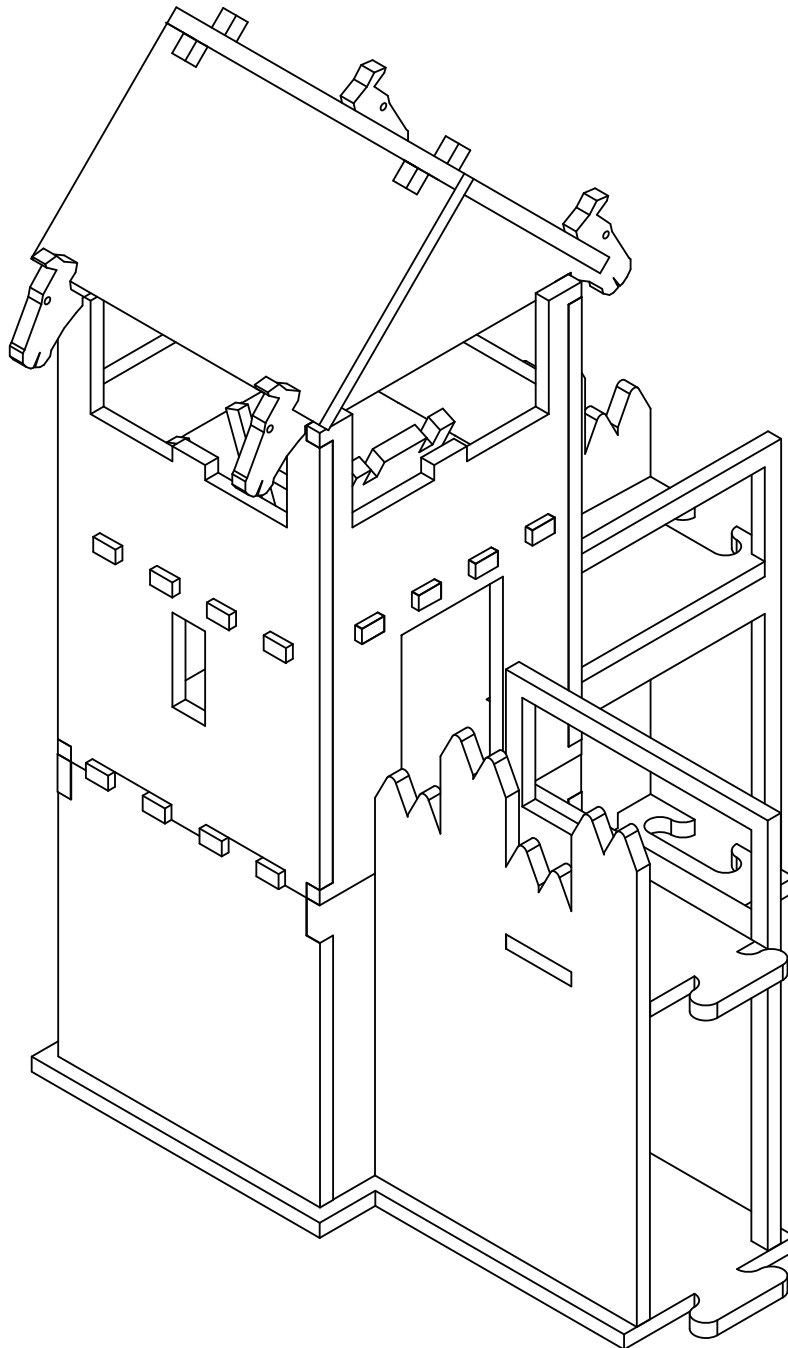


You are done with the first wall. Nicely done!

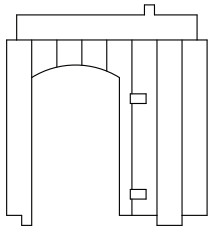
Finish the remaining walls and then move on to the corner tower.

Don't forget to enjoy the construction process — there will be plenty of time to play with it later!

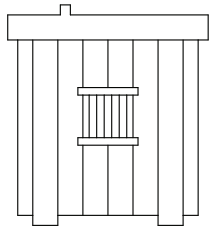
Corner tower



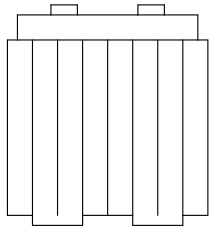
First floor



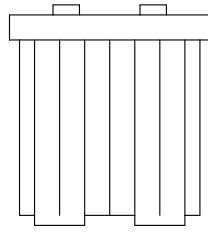
H1



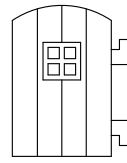
H2



H3



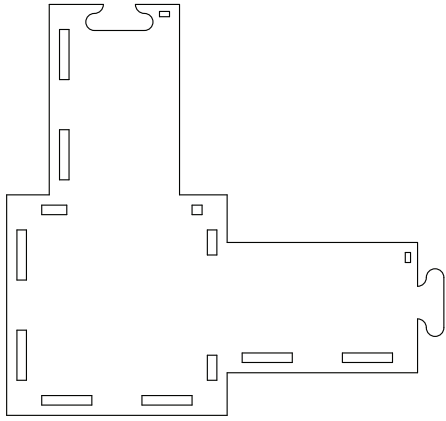
H4



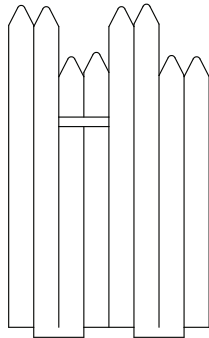
I



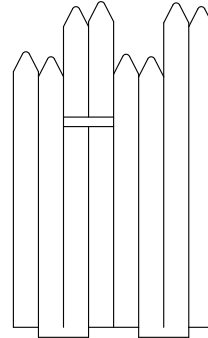
J x 2



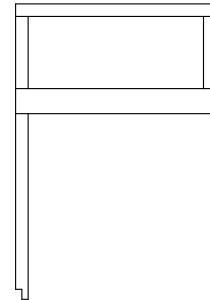
K1



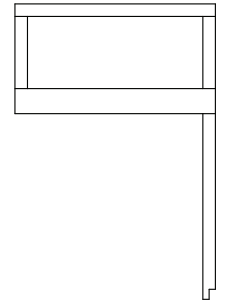
L1



L2

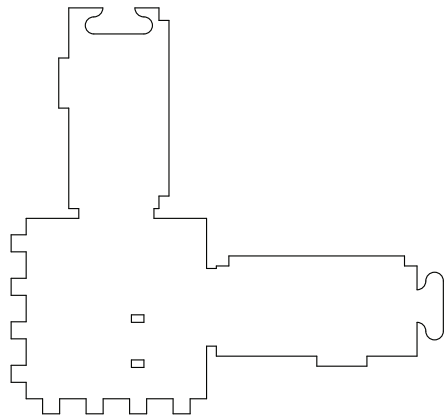


M1

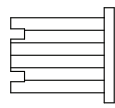


M2

Second and Third floor



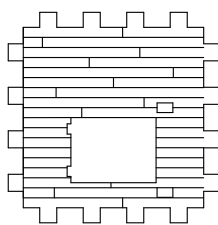
K2



P



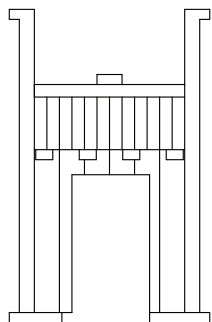
J x 2



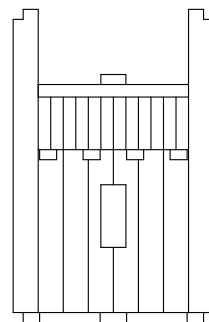
O



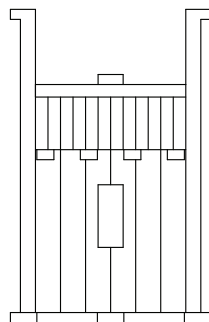
Q



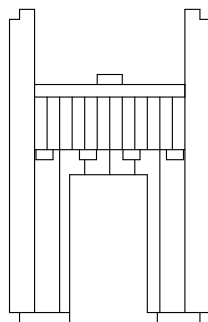
N1



N2

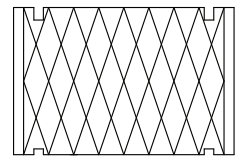


N3

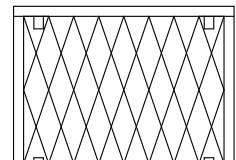


N4

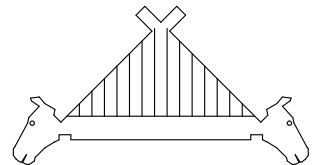
The Roof



S2

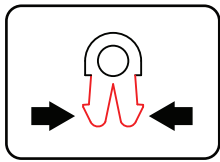


S1



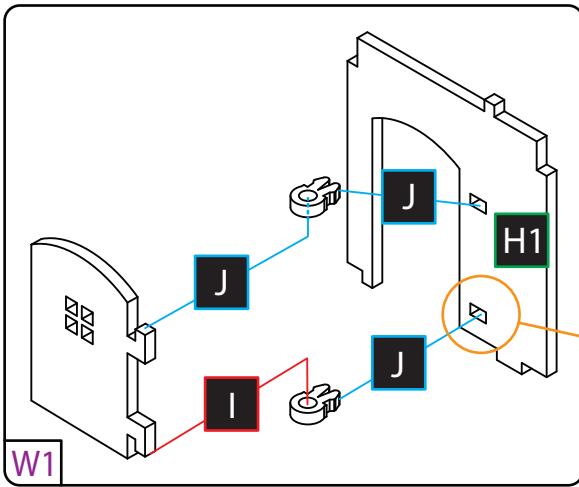
R x 1

Small reminder.  - Do not use glue (example point 6).  - Use glue (example point 8).



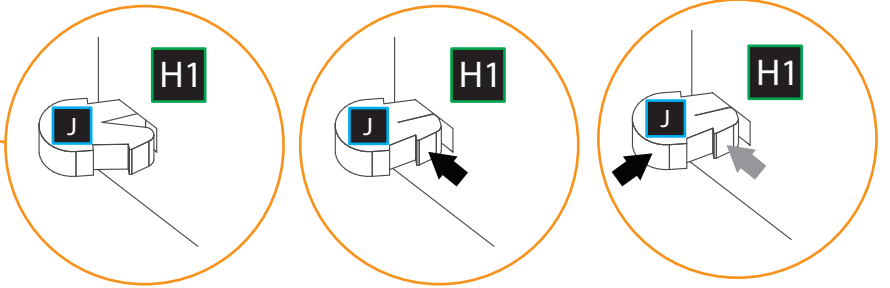
5 - J

Gently press the arms of part J together once to make them more flexible.



6 - H1, J

Attach the lower part J to H1 by inserting one arm halfway into the hole. Press the arms together and push J fully into place.



7 - I, J, H1 - Place the lower notch of detail I into the J's hole that you just attached. On the upper notch of I, insert the other J and then push them together into the upper hole of H1.

After completing steps 6 and 7, you will obtain a new part, which will be referred to as W1 in the following steps.

8 - W1, H2, H3, H4, K1

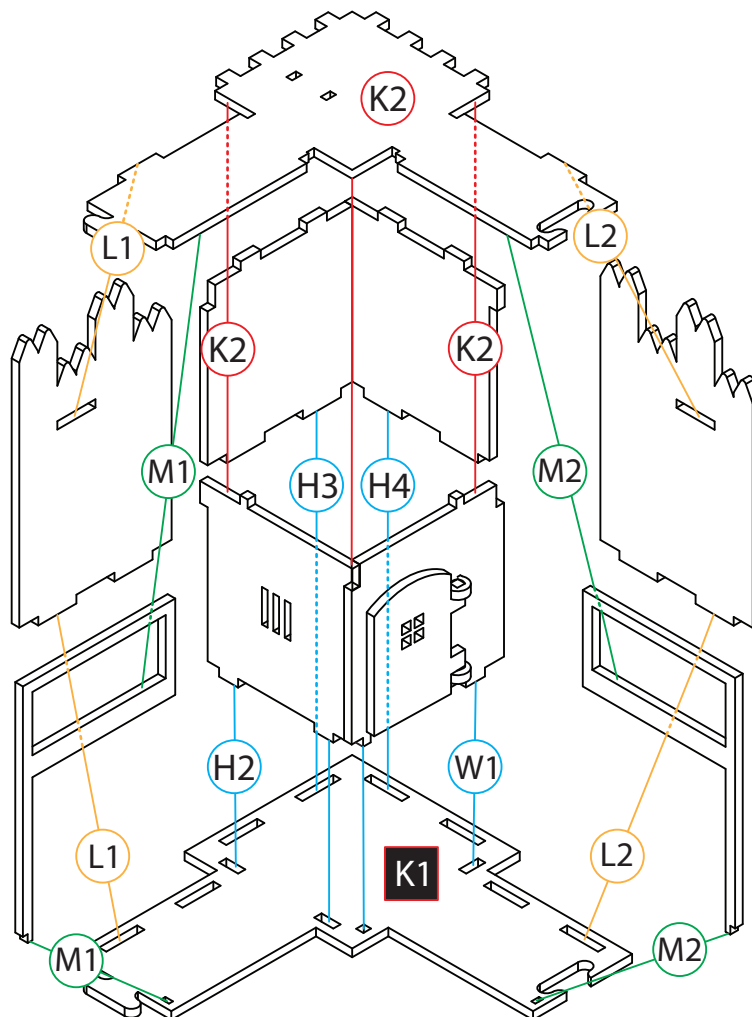
9 - K2, (W1, H2, H3, H4)

10 - L1, K1, K2

11 - L2, K1, K2

11 - M1, K1, K2

12 - M2, K1, K2



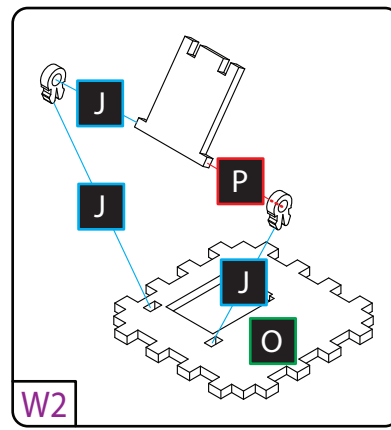
13 - J, O

Insert part J into the right-side hole of O.

14 - P, J, O

Place the right-side notch of part P into the hole in J.
Insert the other J into the left notch of part P,
then push both parts together into the left hole of O.

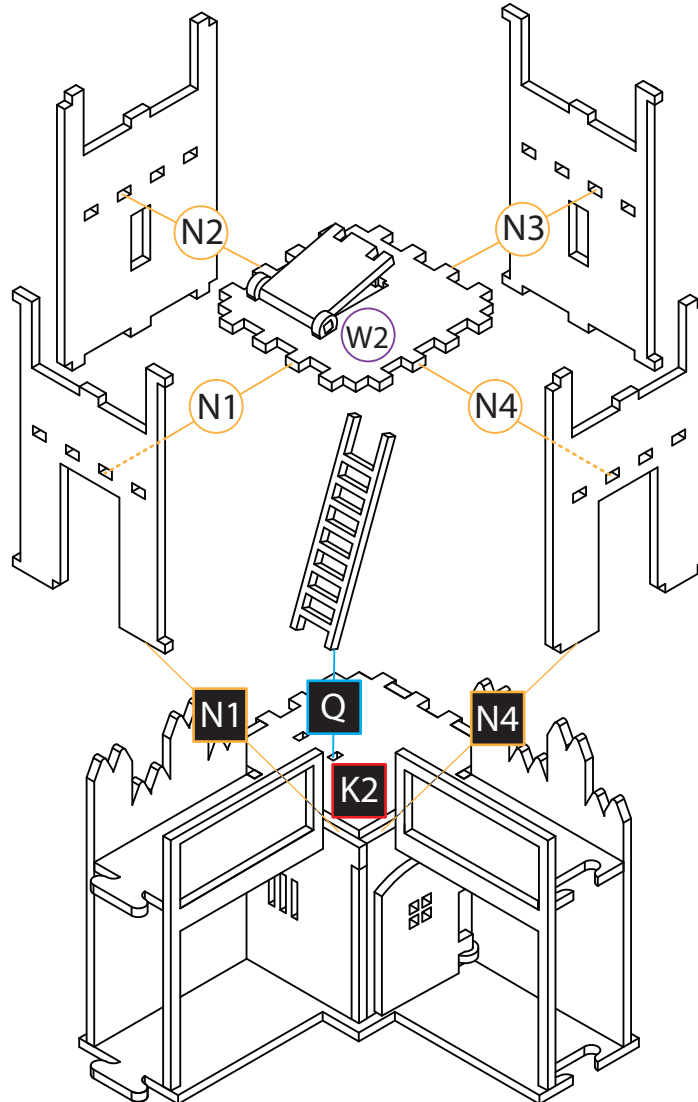
After completing steps 13 and 14, you will obtain
a new part, hereafter referred to as W2.



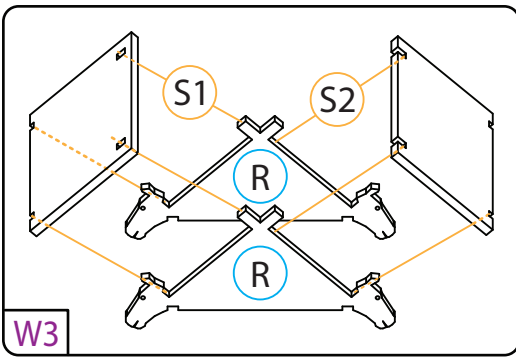
15 - W2, N1, N2, N3, N4

16 - (W2, N1, N2, N3, N4), K2

17 - Q, K2

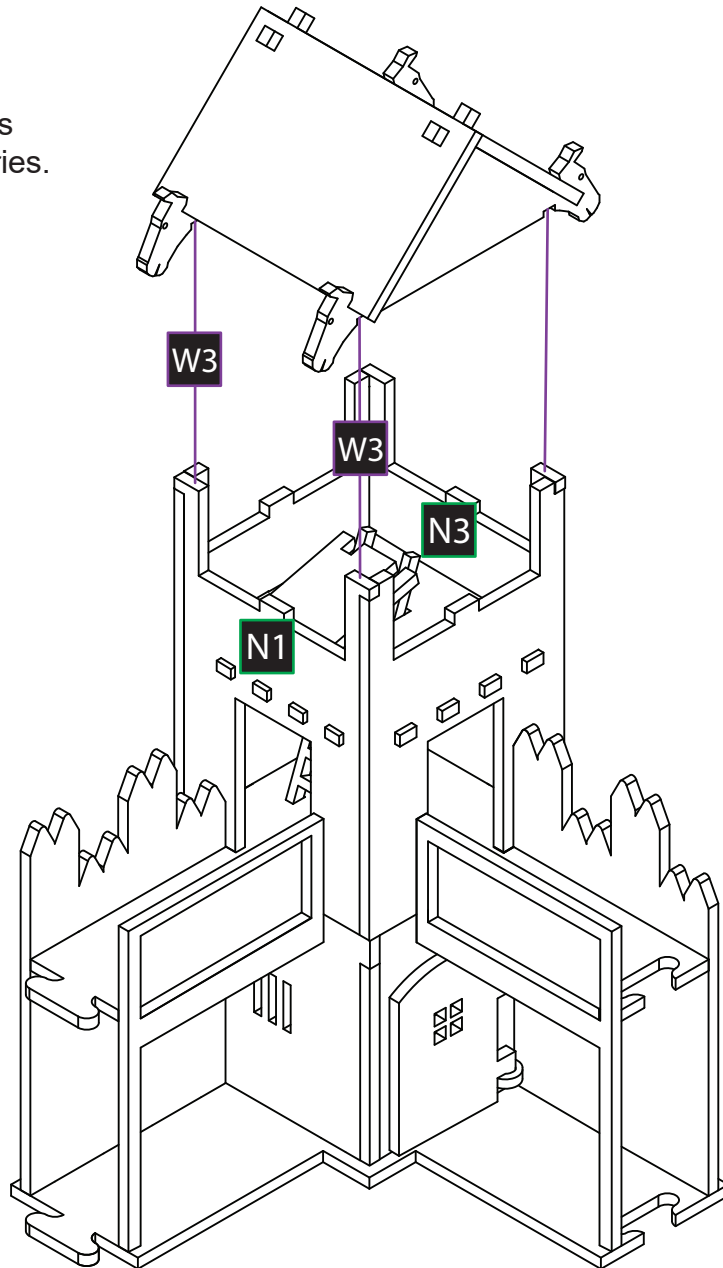


18 - R ×3, S1, S2



19 - W3, N1, N3

Ensure the completed tower stays perfectly upright while the glue dries.

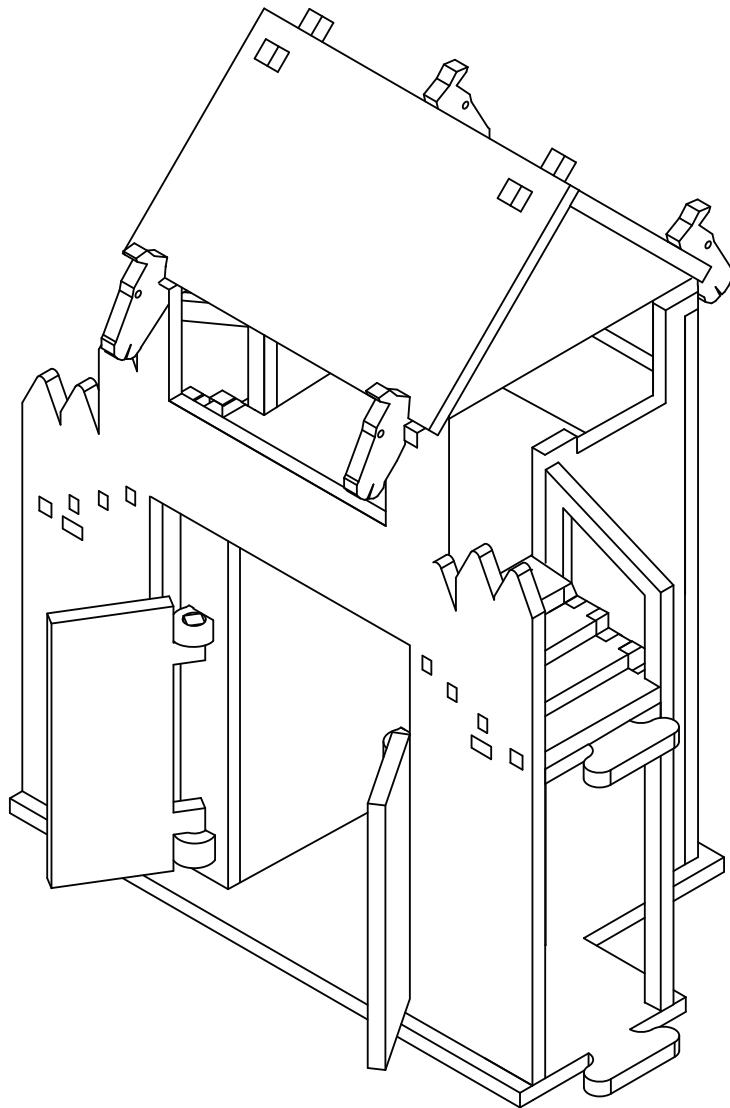


Next piece completed. Well done!

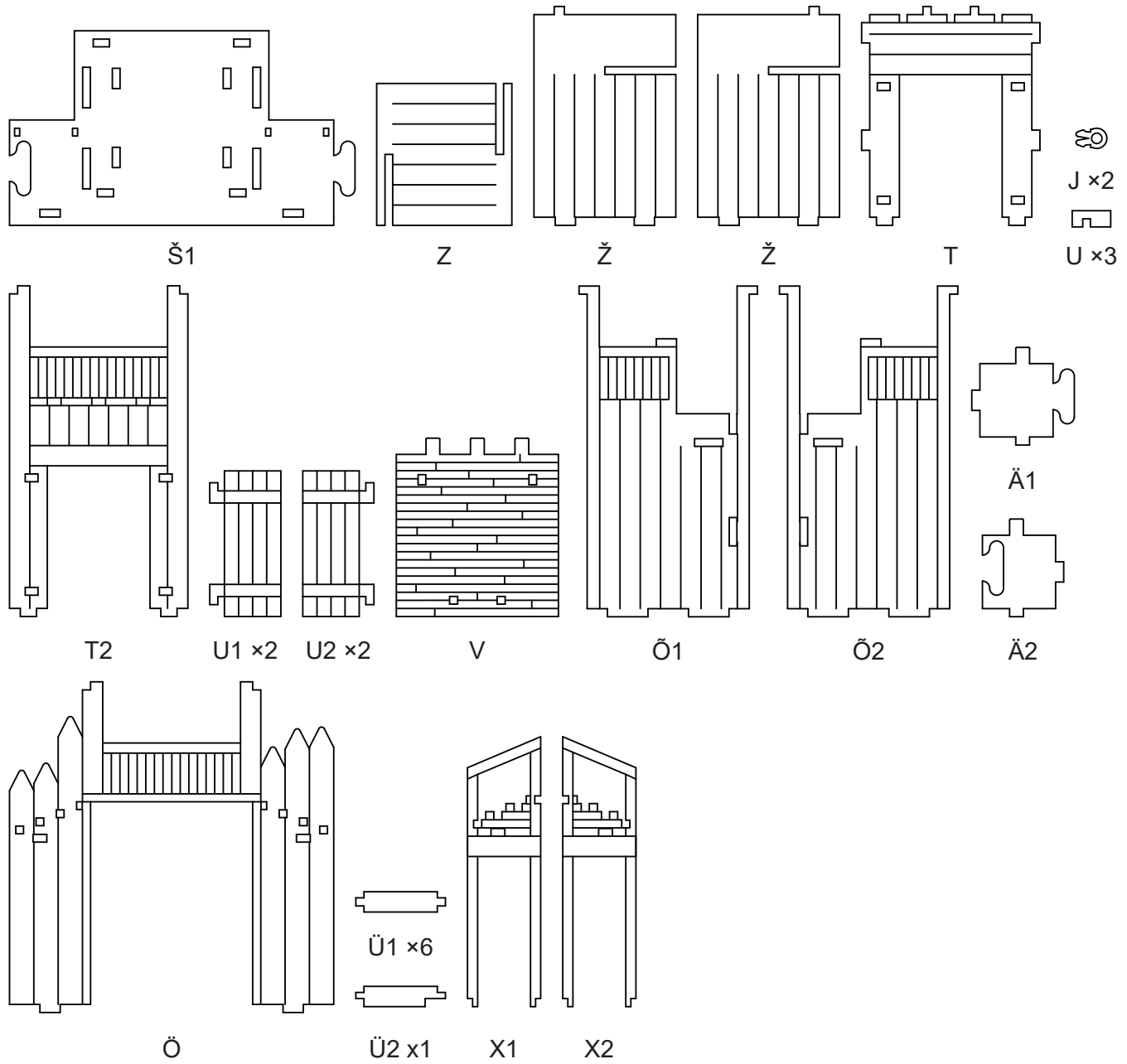
Now finish the remaining towers and then move on to the gate.

Don't forget to keep enjoying the process!

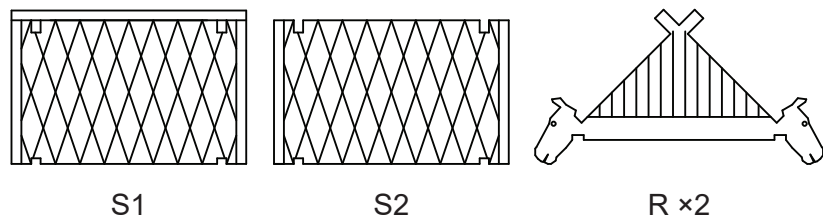
Gate



First and Second floor

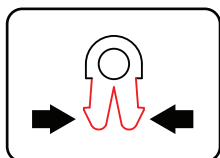
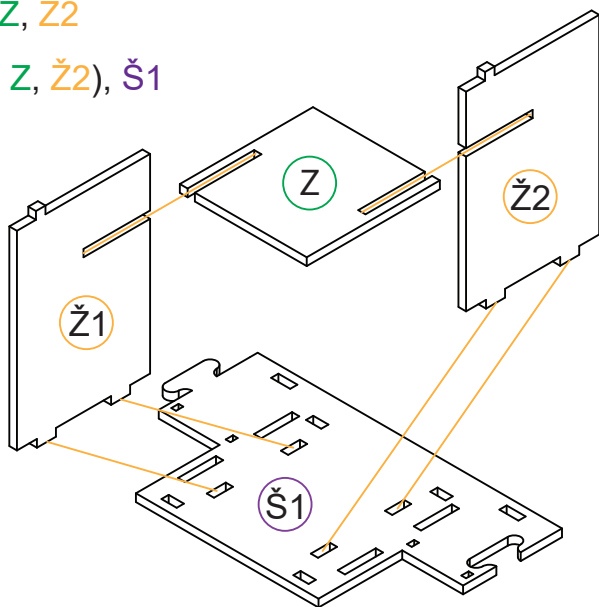


The Roof



20 - **Ž1**, **Z**, **Ž2**

21 - (**Ž1**, **Z**, **Ž2**), **Š1**

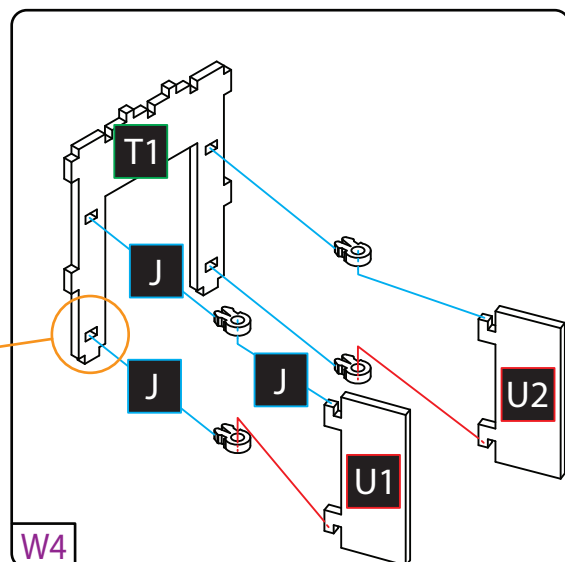
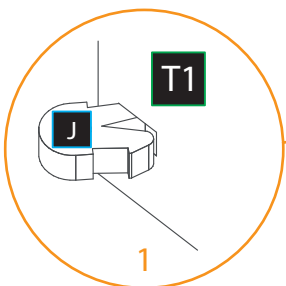
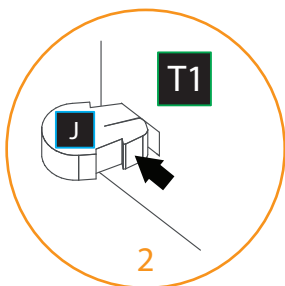
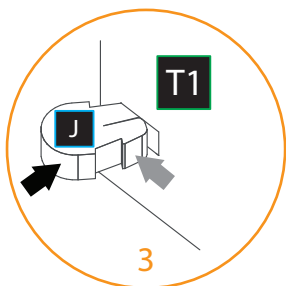


22 - **J**

Gently press the arms of part **J** together once to make them more flexible.

23 - **T1**, **J**

Attach the lower part **J** to **T1** by inserting one arm halfway into the hole. Press the arms together and push **J** fully into place.



24 - **U1**, **J**, **T1** - Place the lower notch of part **U1** into the hole of the attached **J**.

Insert the other **J** into the upper notch of **U1**, then push both parts together into the upper hole of **T1**.

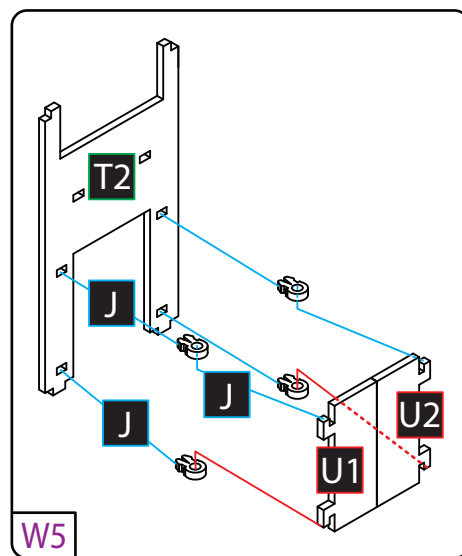
25 - **U2**, **J**, **T1** - Repeat step 24 using part **U2** instead of **U1**.

After completing steps 24 and 25, you will obtain a new part, which will be referred to as **W4** in the following steps.

26 - J, U1, J, T2 - Insert part J into the lower hole of T2.
 Place the lower notch of part U1 into the hole in J.
 Insert the other J into the upper notch of U1,
 then push both parts together into the upper hole of T2

27 - U2, J, T2 - Repeat step 27 using part U2 instead of U1.

After completing steps 26 and 27, you will obtain a new part,
 which will be referred to as W5 in the following steps.



28 - U x3, W5

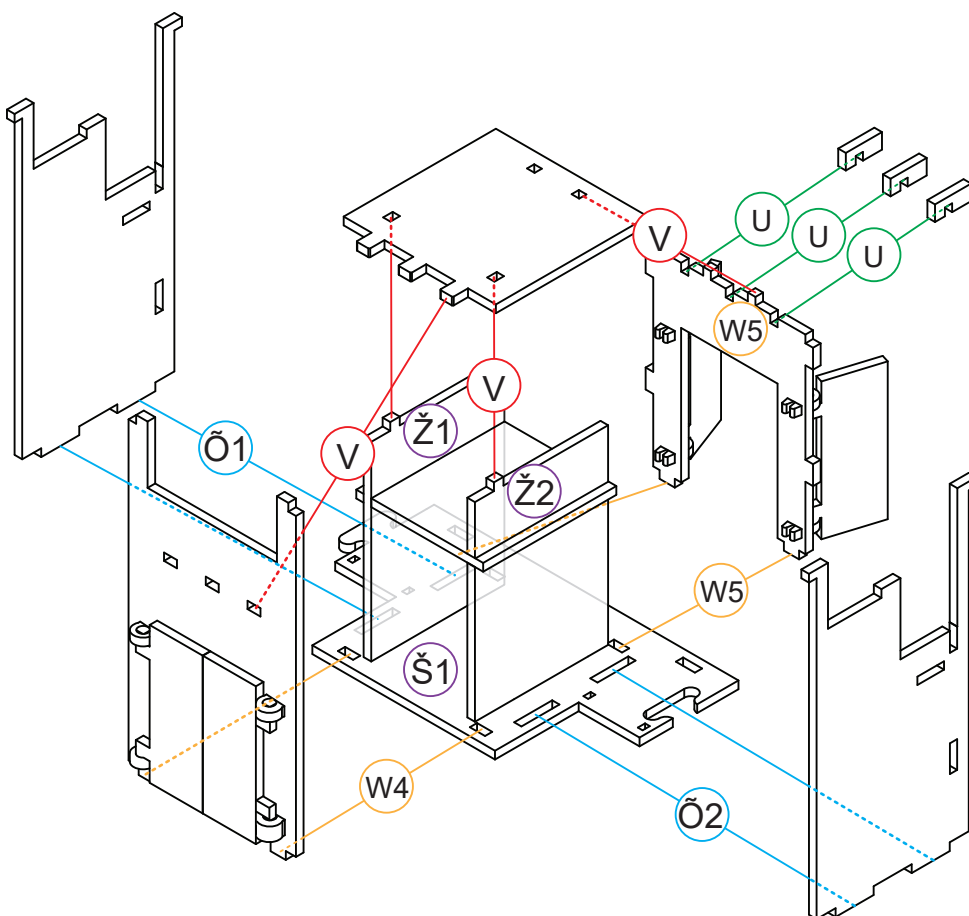
29 - W5, (Š1, Ž1, Ž2)

30 - V, (Ž1, Ž2)

31 - W4, (Š1, Ž1, Ž2)

32 - Ö1, (Š1, Ž1, W5)

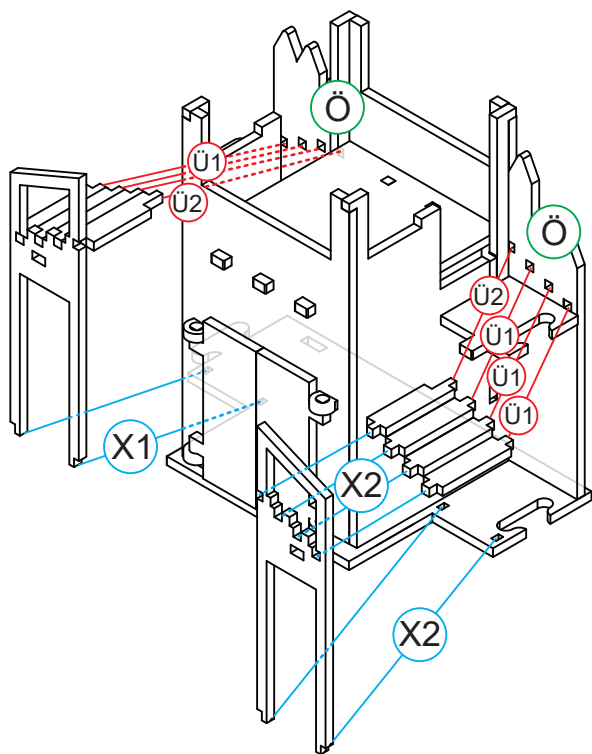
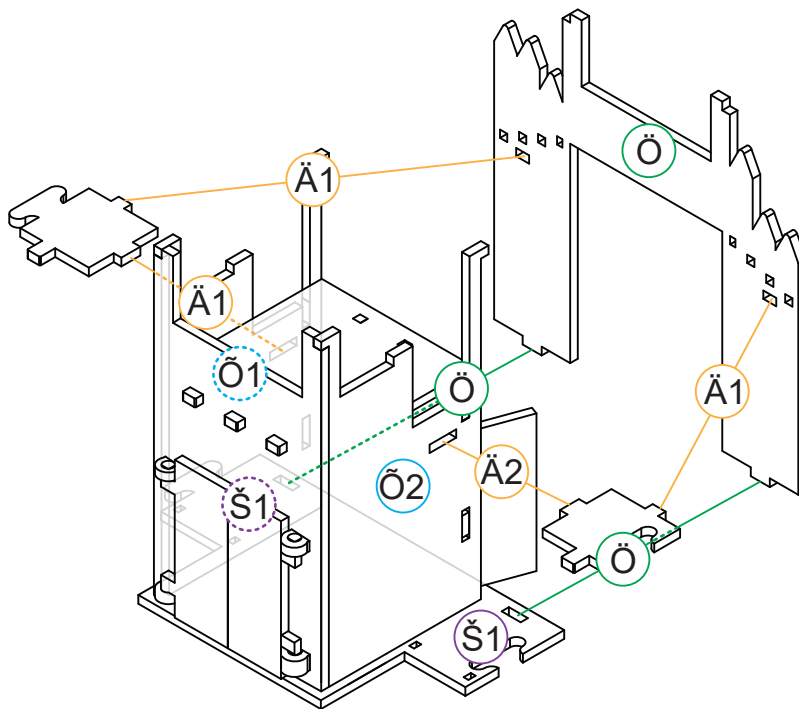
33 - Ö2, (Š1, Ž2, W5)



34 - **Ö**, **Š1**

35 - **Ä1**, **Ö1**, **Ö**

36 - **Ä2**, **Ö2**, **Ö**

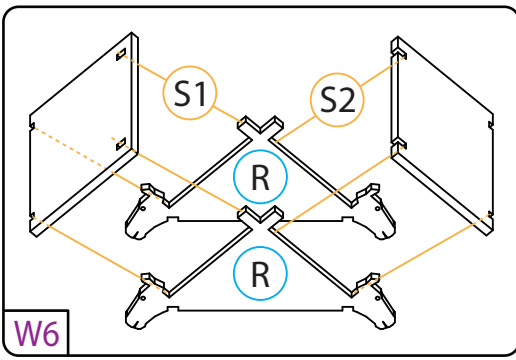


37 - **Ü1** ×3, **Ü2**, **Ö**

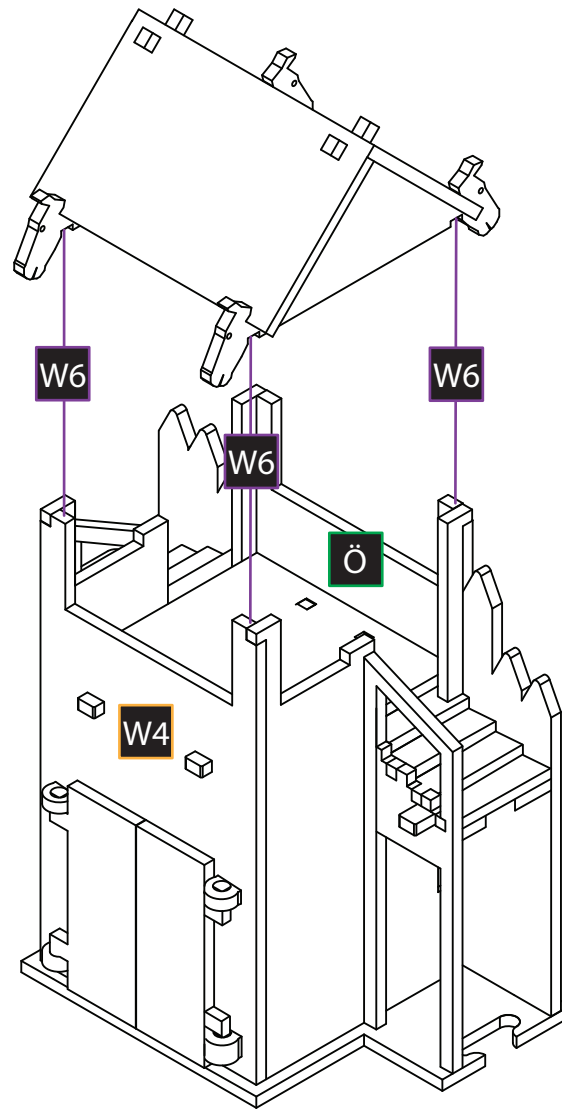
38 - **X2**, **Ü1** ×3, **Ü2**

39 - Repeat steps 37 and 38 using the remaining stairs **Ü1** (×3), **Ü2**, and **X1** on the opposite side.

40 - R ×3, S1, S2

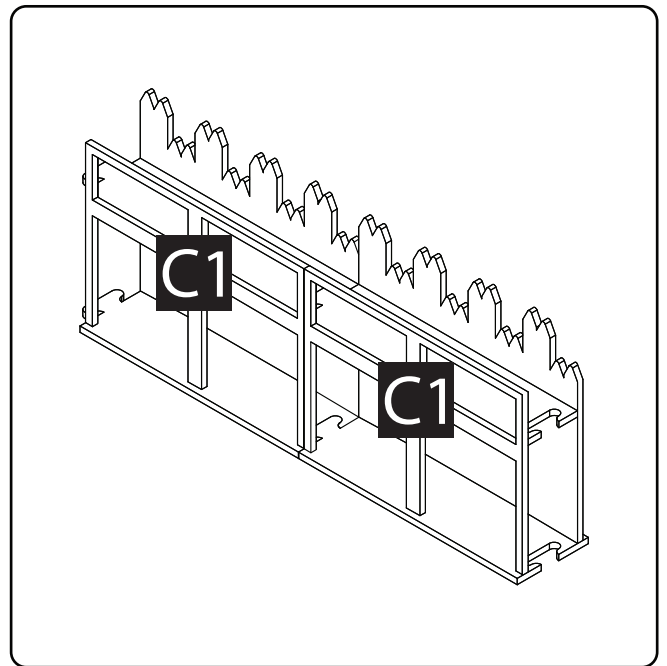
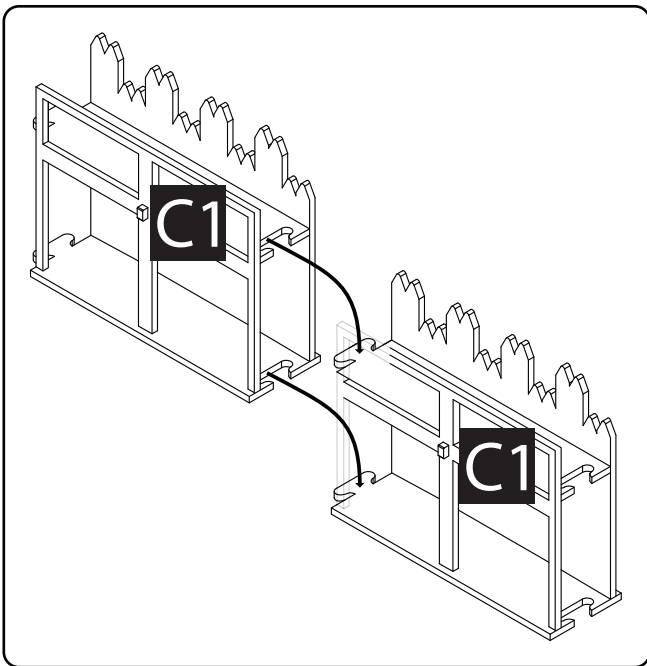
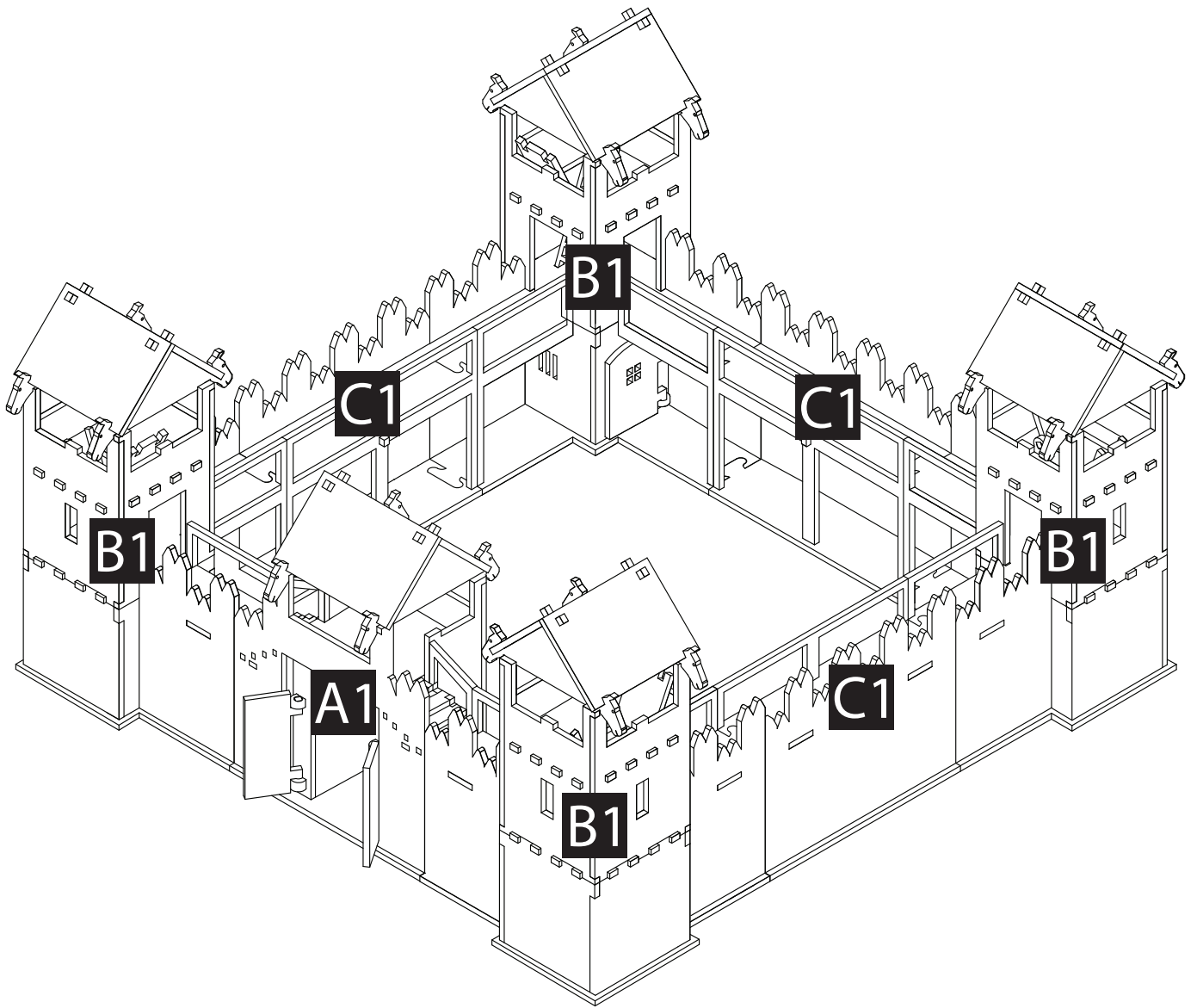


41 - W6, W4, Ö



Final piece completed. Well done!

Now make sure the completed gate stays perfectly upright while the glue dries. After that, it's finally time to complete your viking castle!



 - Do not use glue. The castle sections connect using a puzzle-style locking system.

We hope you had a blast building your castle and that it makes playtime even more magical. Have fun!